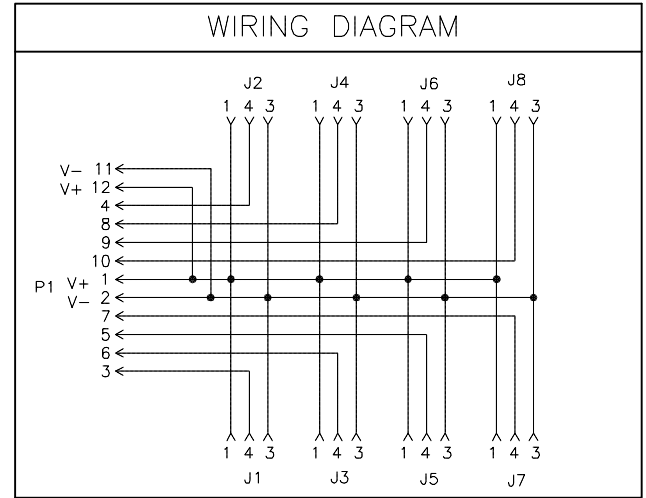
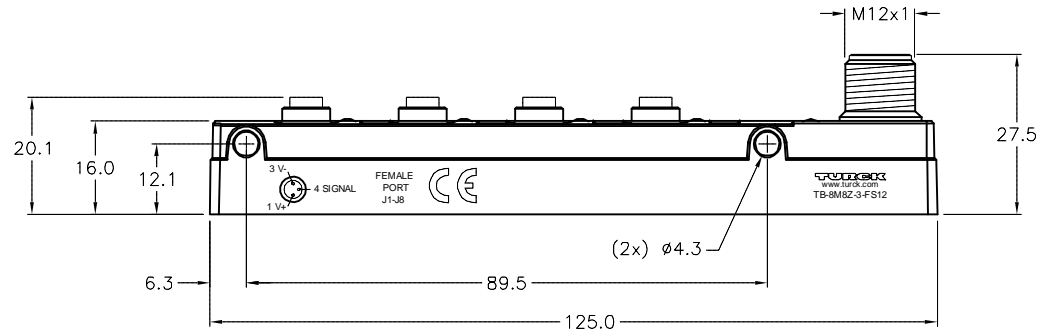
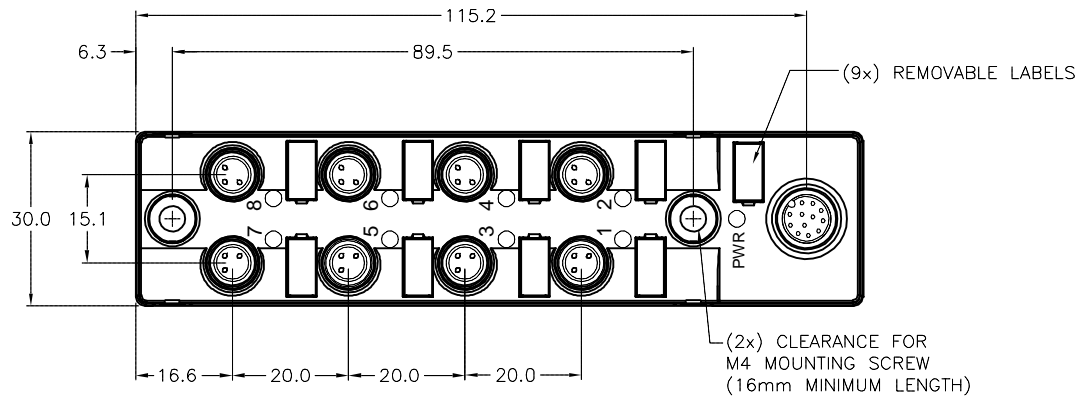


SPECIFICATIONS	
HOUSING MATERIAL/COLOR	NYLON/BLACK
RECEPTACLE MATERIAL/PLATING	BRASS/NICKEL (P1)
CONTACT CARRIER MATERIAL	NYLON
CONTACT MATERIAL/PLATING	BRASS/GOLD
OPERATING VOLTAGE	30 VDC
OPERATING CURRENT	2.0A PER SIGNAL 2.0A TOTAL WHEN USING ONE POWER PAIR 4.0A TOTAL WHEN USING BOTH POWER PAIRS
PROTECTION CLASS to DIN 40050	IEC IP67: ONLY WHEN ALL RECEPT. ARE COVERED WITH PLUGS OR CONNECTED
OPERATING TEMPERATURE	-40°C to +85°C (-40°F to +185°F)
MATING CORDSET	RKC 12T-*/S3477 FOR DUAL POWER PAIRS RKC 10T-*/S3477 FOR SINGLE POWER PAIR



SOURCE DRAWING - FOR REFERENCE ONLY

RELATED DOCUMENTS			
1.			
2.			
3.			
4.			
MATERIAL	SEE SPECIFICATIONS		
FINISH	SEE SPECIFICATIONS		

3RD ANGLE PROJECTION	
ALL DIMENSIONS DISPLAYED ON THIS DRAWING ARE FOR REFERENCE ONLY	
CONTACT TURCK FOR MORE INFORMATION	

THIS DRAWING IS CONFIDENTIAL AND THE PROPERTY OF TURCK INC. USE OF THIS DOCUMENT WITHOUT WRITTEN PERMISSION IS PROHIBITED.		DRFT	RDS	DATE	11/08/17
		APVD	L.F.	SCALE	1=1.3
		UNIT OF MEASUREMENT		MILLIMETERS	
		DO NOT SCALE THIS DRAWING			

3000 CAMPUS DRIVE MINNEAPOLIS, MN 55441 1-800-544-7769 (763) 553-7300 (763) 553-0708 fax www.turck.us	
<b>TURCK</b>	
DESCRIPTION TB-8M8Z-3-FS12	
IDENTIFICATION NO. U2-28811	REV C
FILE: U2-28811	SHEET 1 OF 1

C	ADD CE	NF	01/14/19	68151
REV	DESCRIPTION	BY	DATE	ECO NO.